

Control knobs with adjustable spindle

SPECIFICATION

Types

- Type **A**: Fixing hole parallel to the spindle axle
- Type **B**: Fixing hole vertical to the spindle axle
- Type **S1**: Mounting with hexagon head screw

Coding

- Version **SR**: with scale 0,1...0,9, 50 graduations ascending, clockwise
- Version **SL**: with scale 0,1...0,9, 50 graduations ascending, anti-clockwise

Body
Steel
matt chrome plated

Spindle
Steel
blank

Control knob
Aluminium
anodized, black

Hexagon head screw
Steel, zinc plated, blue passivated

Scales engraved with laser precision

Cover
Plastic, light grey



INFORMATION

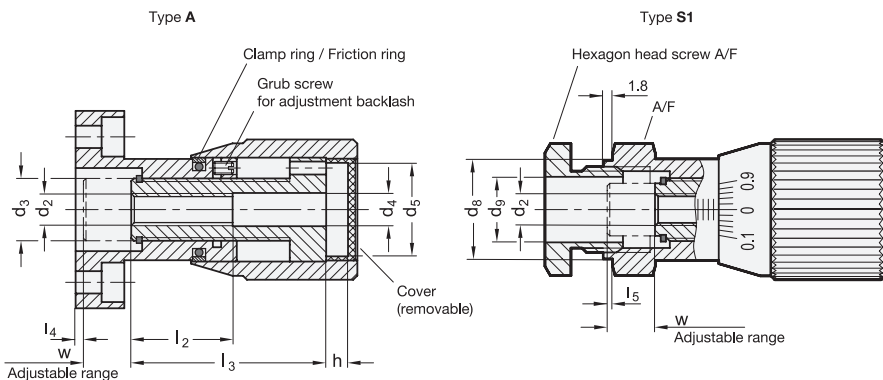
Control knobs with adjustable spindle GN 727 allow precise adjustment or aligning i. e. of a positive stop. The spindle thread is without backlash.

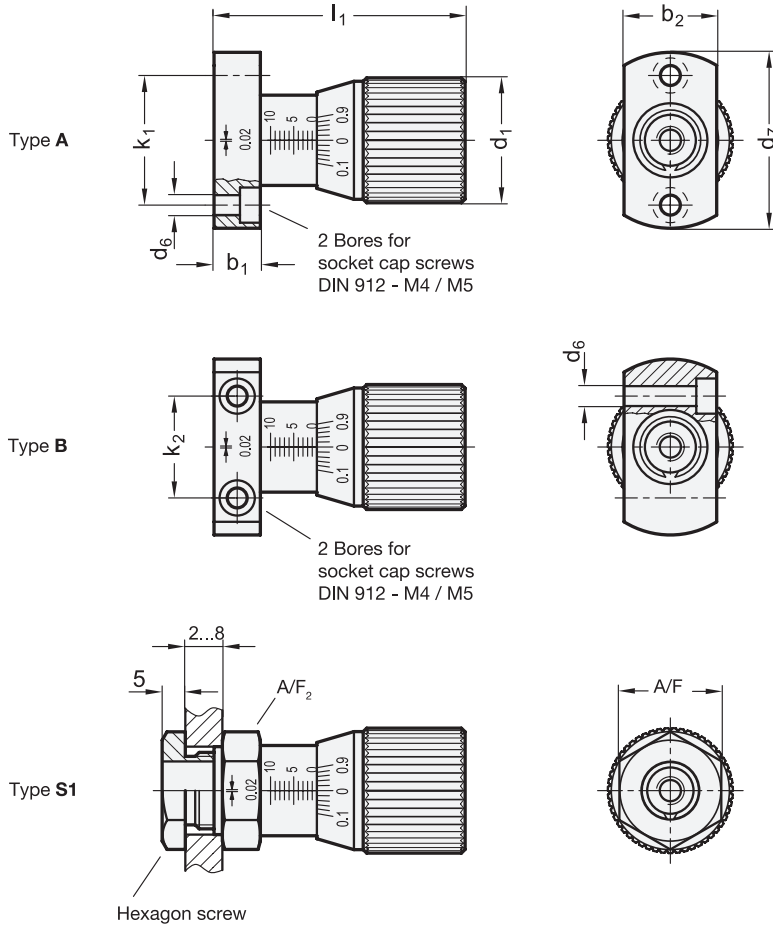
The graduations on the control knob are non-abrasive and well legible.

The light grey cover shrouds the fixing components as well as the shaft end.

Regarding design, numbering run, numbering position and numbering sequence of the scale please see the layout for scale rings on the order sheet "How to order graduations" (see page 594).

COMPLEMENTARY DIMENSIONS WITH TECHNICAL DETAILS





GN 727

Description	d1	d2	d3	d4	d5	d6	d7	d8 -0.05	d9	b1	b2	h	k1	k2	l1 +0.2	l2	l3	l4	l5	A/F	w	Δ
GN 727-27-A-SR	27	M 6	M 12 x 1	6.4	18	-	38	-	-	10	20	4.3	28	-	54	19.5	37.5	0.5	-	-	10	103
GN 727-27-A-SL	27	M 6	M 12 x 1	6.4	18	-	38	-	-	10	20	4.3	28	-	54	19.5	37.5	0.5	-	-	10	103
GN 727-34-A-SR	34	M 8	M 16 x 1	8.5	23	-	50	-	-	11	25	4.2	36	-	67	23.5	45.5	0.5	-	-	15	210
GN 727-34-A-SL	34	M 8	M 16 x 1	8.5	23	-	50	-	-	11	25	4.2	36	-	67	23.5	45.5	0.5	-	-	15	210
GN 727-27-B-SR	27	M 6	M 12 x 1	6.4	18	4.3	-	-	-	10	20	4.3	-	22	54	19.5	37.5	0.5	-	-	10	103
GN 727-27-B-SL	27	M 6	M 12 x 1	6.4	18	4.3	-	-	-	10	20	4.3	-	22	54	19.5	37.5	0.5	-	-	10	103
GN 727-34-B-SR	34	M 8	M 16 x 1	8.5	23	5.3	-	-	-	11	25	4.2	-	30	67	23.5	45.5	0.5	-	-	15	206
GN 727-34-B-SL	34	M 8	M 16 x 1	8.5	23	5.3	-	-	-	11	25	4.2	-	30	67	23.5	45.5	0.5	-	-	15	205
GN 727-27-S1-SR	27	M 6	M 12 x 1	6.4	18	-	-	20	14	10	-	4.3	-	-	54	19.5	37.5	0.5	1	22	10	113
GN 727-27-S1-SL	27	M 6	M 12 x 1	6.4	18	-	-	20	14	10	-	4.3	-	-	54	19.5	37.5	0.5	1	22	10	113
GN 727-34-S1-SR	34	M 8	M 16 x 1	8.5	23	-	-	24	18	11	-	4.2	-	-	67	23.5	45.5	0.5	1	27	15	182
GN 727-34-S1-SL	34	M 8	M 16 x 1	8.5	23	-	-	24	18	11	-	4.2	-	-	67	23.5	45.5	0.5	1	27	15	182

